

QuickTrip

ELECTRO-HYDRAULIC TRIP BLOCK ASSEMBLY FOR INDUSTRIAL STEAM TURBINES

WOODWARD | INDUSTRIAL TURBOMACHINERY SYSTEMS



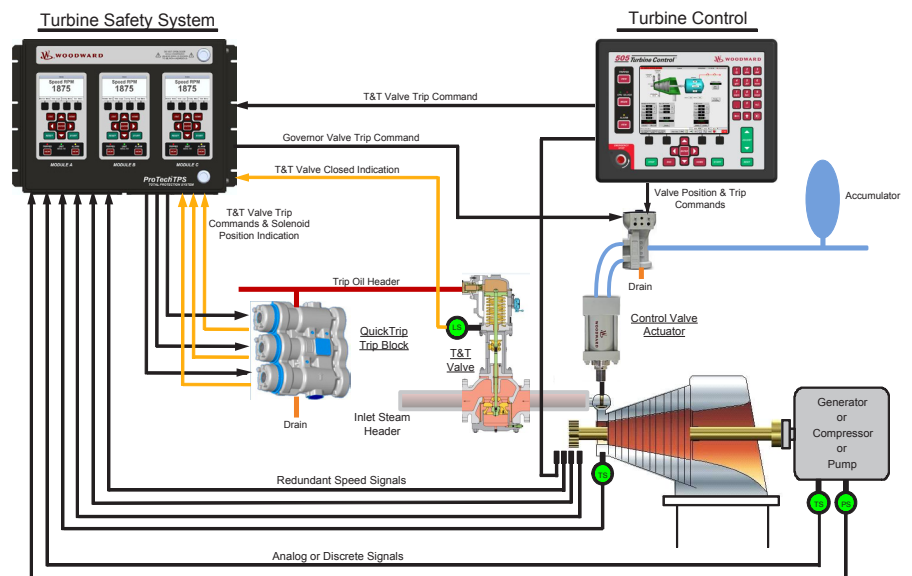
The QuickTrip trip block assembly is designed for use in steam, gas, and hydro turbine shutdown systems for quick and reliable dumping of the turbine's trip oil header. This integrated trip block assembly is intended for use on mechanical-drive or generator-drive steam turbines that use low pressure (5–25 bar / 73–363 psi) hydraulic trip oil headers.

The QuickTrip's fault tolerant design makes it ideal for critical steam turbine applications, where turbine up-time and availability are essential. This trip block assembly's 2-out-of-3 voting design provides users with a very high level of system reliability as well as compliance with industry standard API-670.

The QuickTrip is certified for use in IEC61508 based turbine safety systems, and when paired with the Woodward ProTechTPS, can be applied into systems that require a "Safety Integrity Level – 3" rating or below.

PRODUCT FEATURES

- Dirt-tolerant design (25lb rotary chip shear force)
- Self-cleaning valve design (rotary solenoids)
- Fast trip times (< 50 ms solenoid action)
- Increased reliability (2-out-of-3 voting design)
- Repairable online
- Testable on-line
- Safety certified for use in IEC61508 SIL-3 systems
- API-670 Compliant
- Local & remote position indications
- Compact size
- Certified for hazardous locations



TURBOMACHINERY CONTROL EXPERTS
Turbines | Compressors | Safety | Actuation
www.woodward.com/turbine-sales-support.aspx

 **WOODWARD**

51508